

# A Simple Implementation

*CPE380, Spring 2025*

**Hank Dietz**

<http://aggregate.org/hankd/>

# Where Is This Stuff?

- **Not in the text** per se...
- Primary reference is:

<http://aggregate.org/CPE380/refs3S25.html>

- Textbook appendix B reviews CPE282 stuff...

# A Dumb Implementation

- A design like I learned as an undergrad...
  - Can be built with a pile of TTL parts
  - Can execute MIPS instructions
  - Slow; many clock cycles per instruction
- The key parts:
  - Memory
  - Processor
  - I/O – which we'll ignore for now...

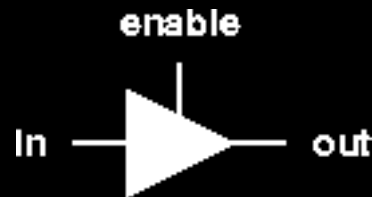
# Our Favorite Gates

- In CPE282, you never used one of these:



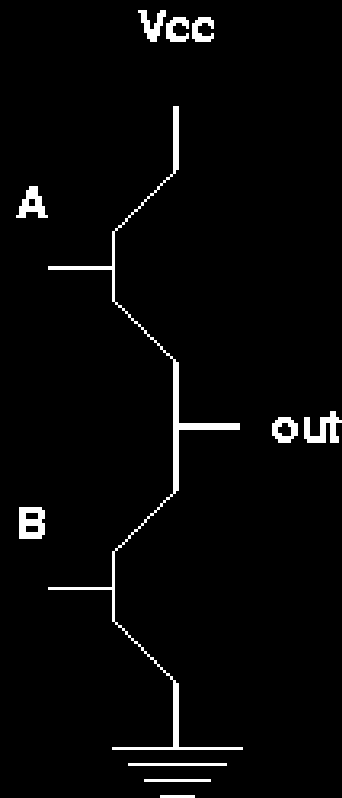
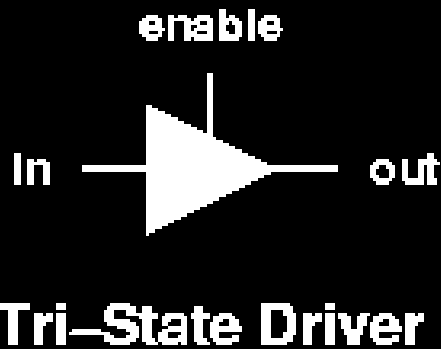
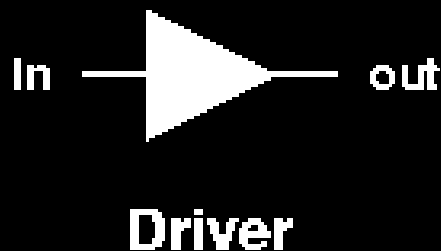
but they help keep signals digital...

- In CPE380, we use lots of these:



to make **bus** and **mux** structures...

# Tri-State (& Open Collector)

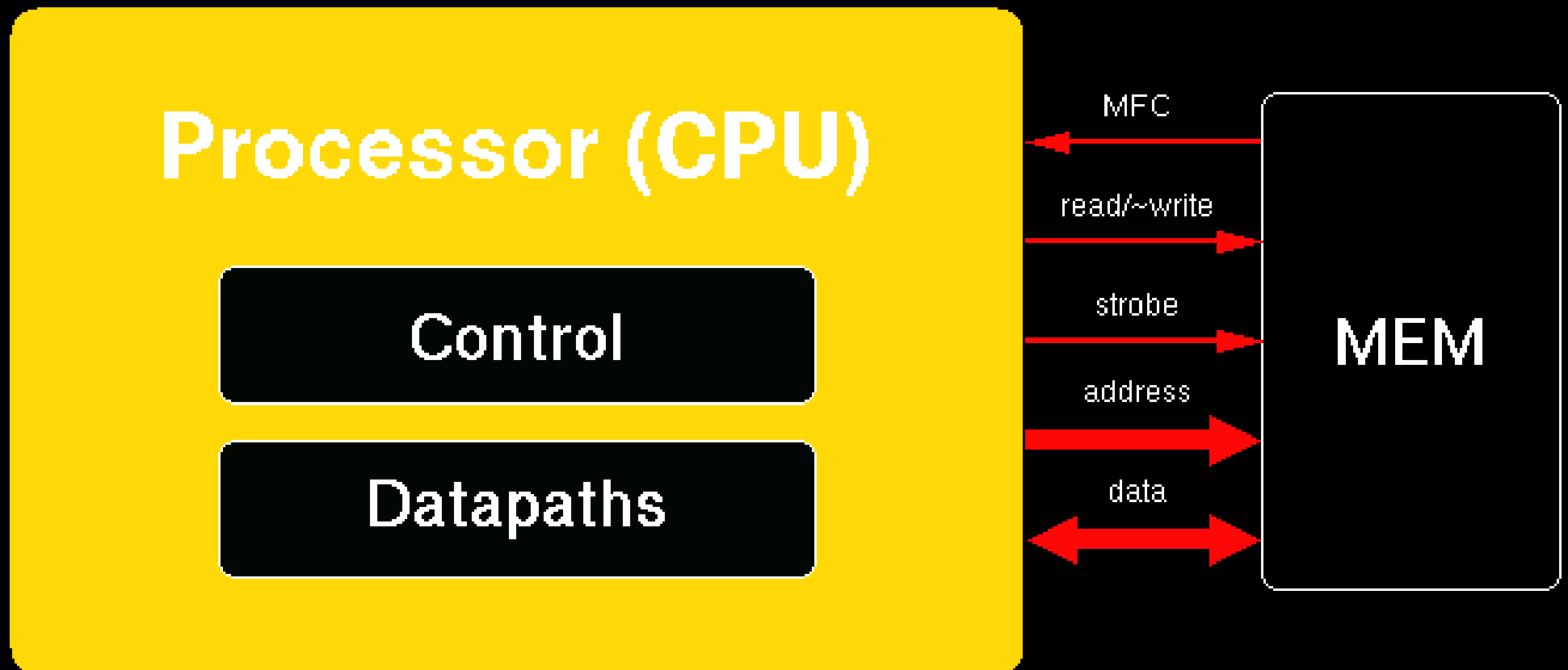


In	enable	A	B	out
X	0	off	off	Z
0	1	off	on	0
1	1	on	off	1
		on	on	short!

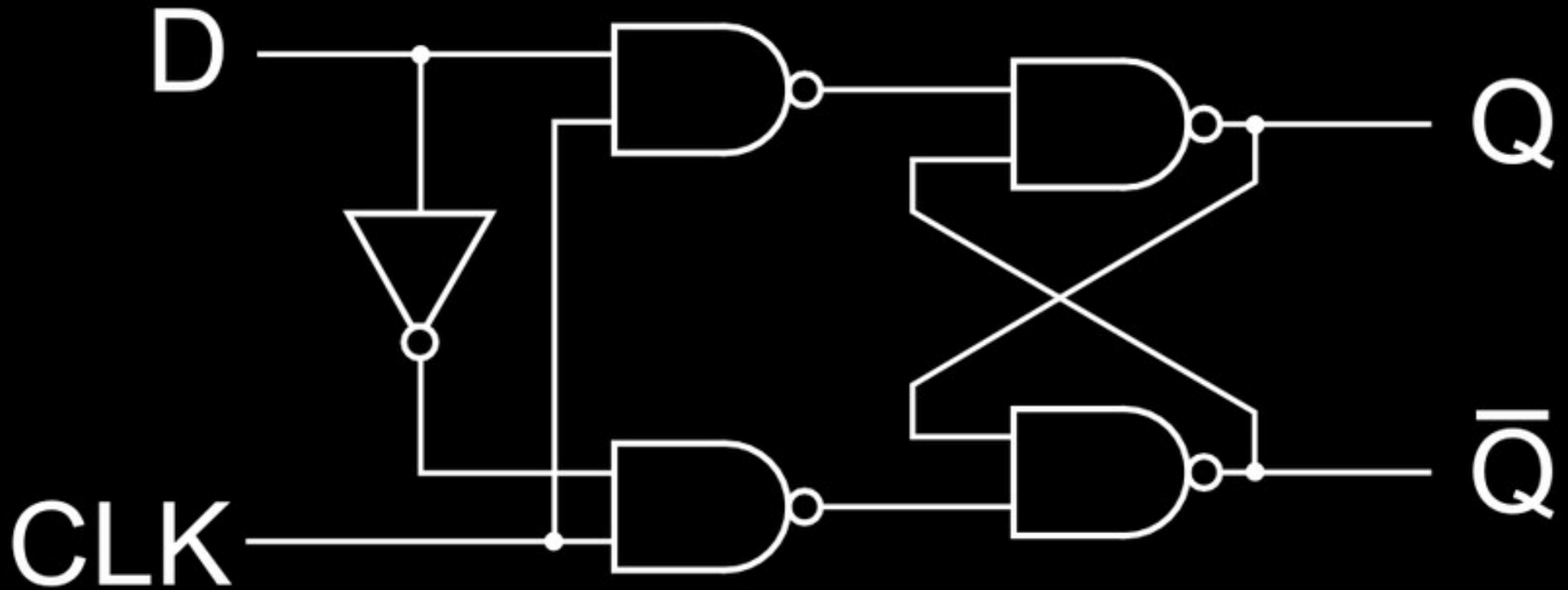
Open Collector replaces A with a resistor

TTL Input floats high; CMOS doesn't

# Processor/Memory Interface



# A bit Of SRAM (D Flip Flop)

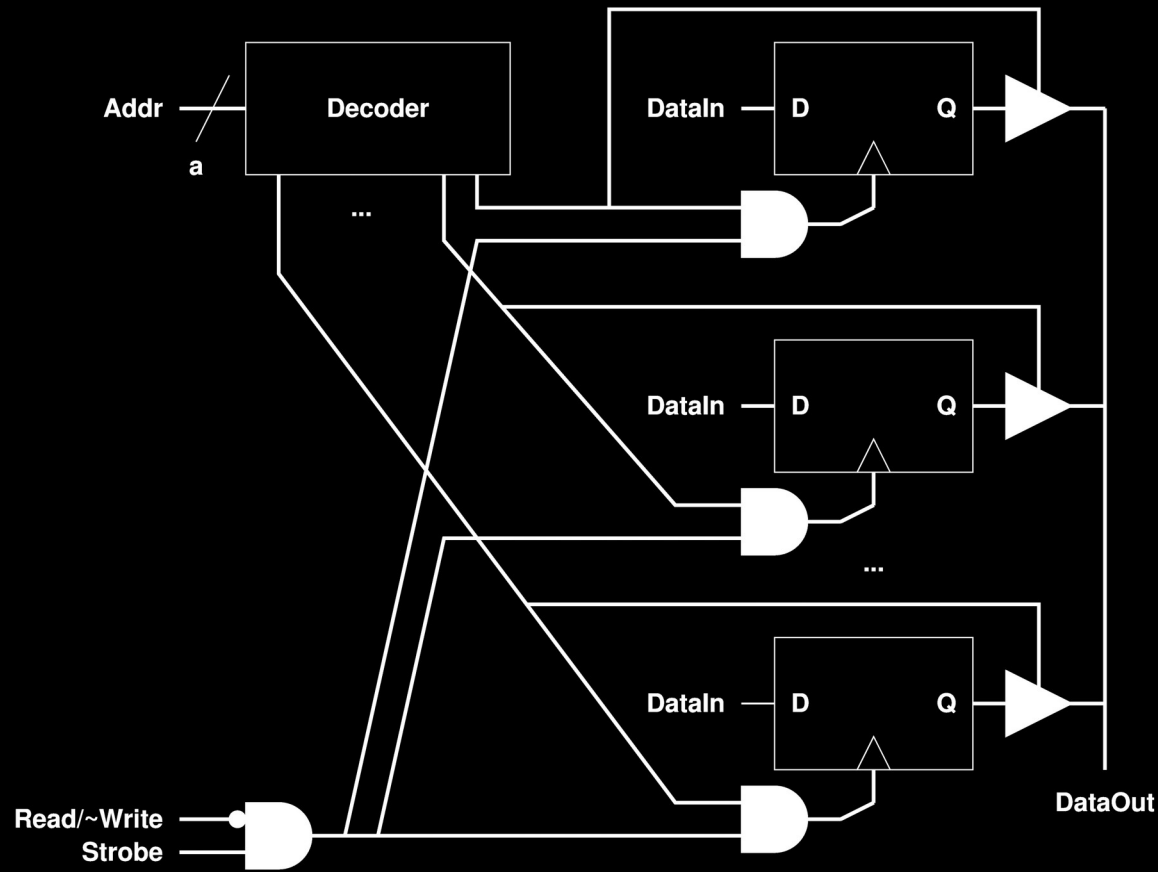


# In Verilog

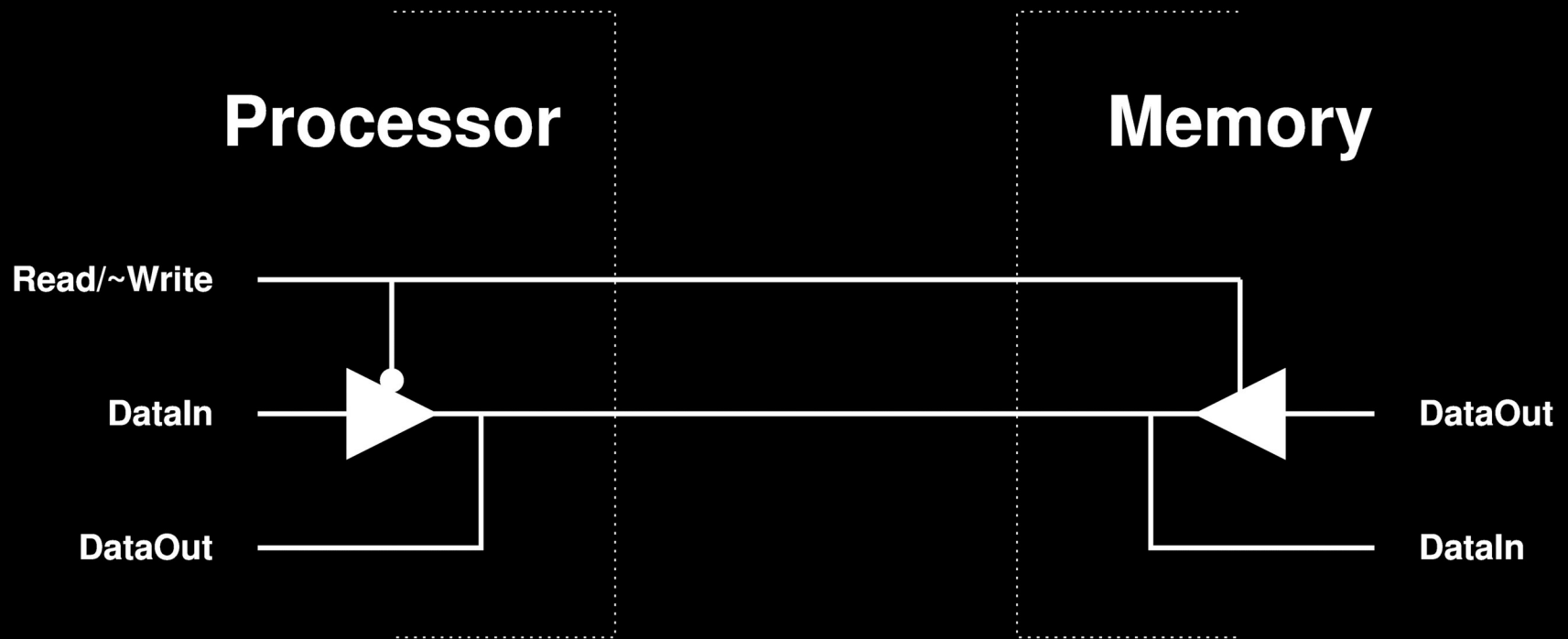
```
module DFF(q, d, clk);  
input d, clk;  
output reg q;  
  
always @(posedge clk) q <= d;  
endmodule
```



# A Simple Memory



# What If Data Is Bidirectional?



# In Verilog

```
module memory(mfc, dread, dwrite, addr, rnotw, strobe);
output reg mfc; output reg [7:0] dread;
input [7:0] dwrite; input [15:0] addr;
input rnotw, strobe;
reg [7:0] m [65535:0];

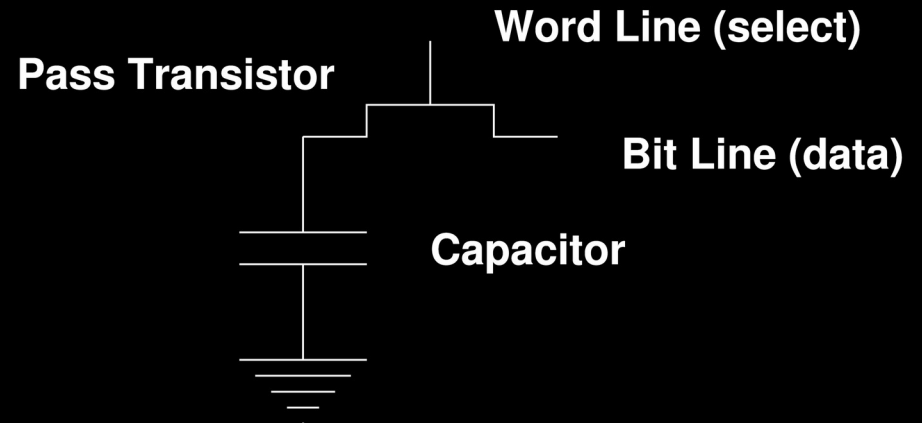
always @(posedge strobe) begin
    mfc = 0;
    if (rnotw) begin
        dread <= m[addr];
        mfc = #4 1; // delay 4 units of simulated time
    end else begin
        m[addr] <= dwrite;
    end
end
endmodule
```

# Parametric Verilog

```
module memory(mfc, dread, dwrite, addr, rnotw, strobe);
parameter ABITS = 8; parameter DBITS = 16;
output reg mfc; output reg [DBITS-1:0] dread;
input [DBITS-1:0] dwrite; input [ABITS-1:0] addr;
input rnotw, strobe;
reg [DBITS-1:0] m [(1<<ABITS)-1:0];

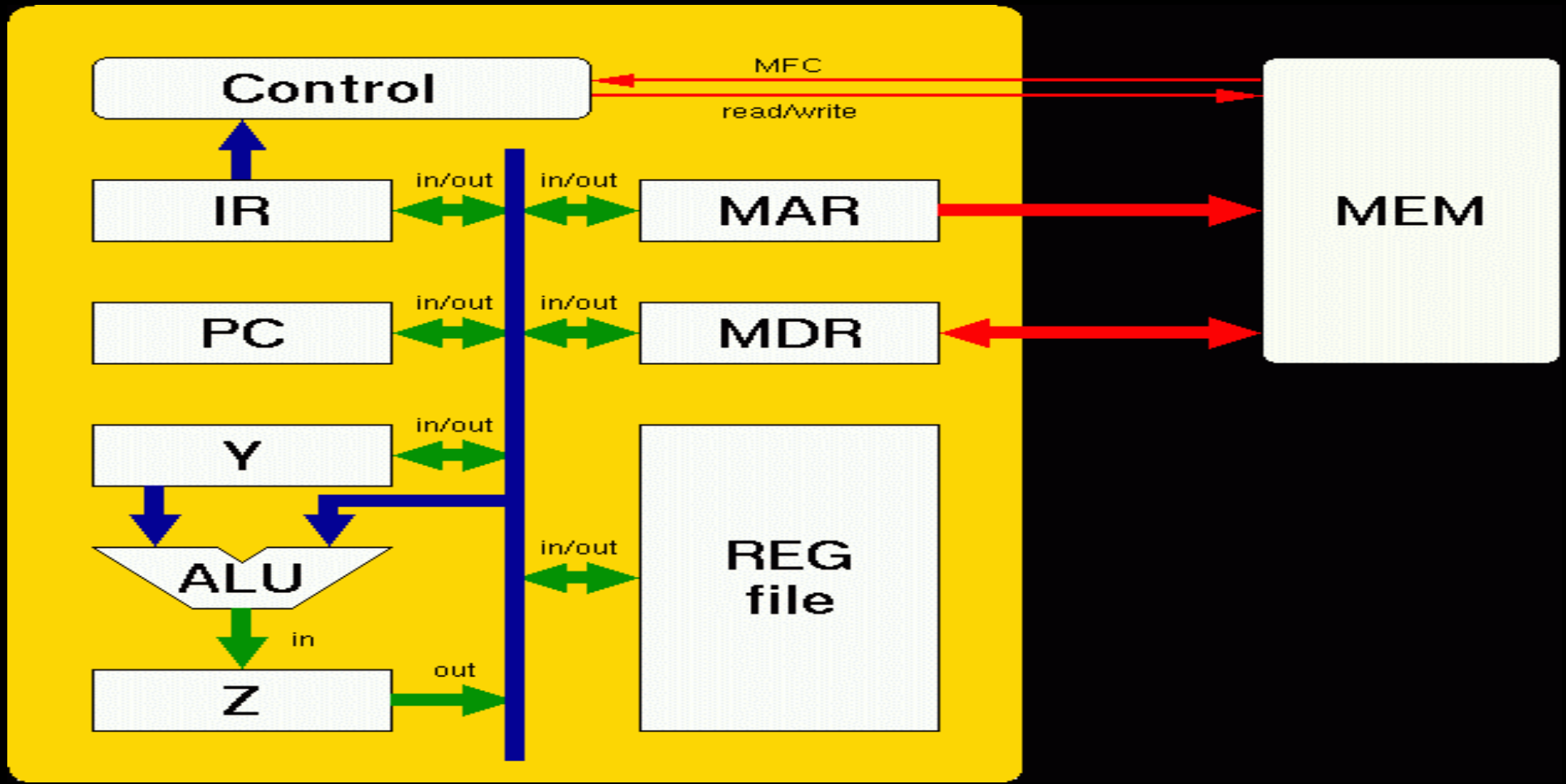
always @(posedge strobe) begin
    mfc = 0;
    if (rnotw) begin
        dread <= m[addr];
        mfc = #4 1; // delay 4 units of simulated time
    end else begin
        m[addr] <= dwrite;
    end
end
endmodule
```

# A bit Of DRAM



- Data to  $V_{cc}$  to store 1
- Data to  $Gnd$  to store 0
- Read: dump charge, amplify, & threshold
  - Analog – slow & noise sensitive
  - Destructive (need to refresh value)
- Charge slowly leaks (need to refresh)

# Inside The Processor



# In Verilog

```
`define WORD      [31:0]    // size of a data word
`define STATENO   [31:0]    // size of a state number

module module processor(halt, reset, clk);
output reg halt;
input reset, clk;
reg `WORD IR, PC, MAR, MDR, Y, ALUMUX, ALUZ;
reg rnotw, strobe;
wire mfc;
wire `WORD dread;
reg `WORD addr;
reg `STATENO STATE;
...
memory mainmem(mfc, dread, MDR, MAR, rnotw, strobe);
...
endmodule
```

# Something To Run It...

```
module testbench;
reg reset = 1;
reg clk = 0;
wire halt;

processor PE(halt, reset, clk);

initial begin
    #1 reset = 0;
    while (!halt) begin
        #1 clk = 1;
        #1 clk = 0;
    end
end
endmodule
```



REGISTER control signal	Effect
ALUadd	Configures the ALU to add its inputs
ALUand	Configures the ALU to bitwise AND its inputs
ALUxor	Configures the ALU to bitwise eXclusive OR its inputs
ALUor	Configures the ALU to bitwise OR its inputs
ALUsl	Configures the ALU to shift left logical; the result is (bus << Y)
ALUslt	Configures the ALU to compare its inputs; the result is (Y < bus)
ALUsrl	Configures the ALU to shift right logical; the result is (bus >> Y)
ALUsub	Configures the ALU to subtract the bus input from Y
CONST( <i>value</i> )	Places the constant <i>value</i> onto the bus
HALT	Halt the machine (stop the simulator without error) at the end of the current state
IRaddout	Tri-state enables the portion of the Instruction Register that contains the (26 bit, MIPS "J" format) address, along with the top 6 bits of the Program Counter, to be driven onto the bus
IRimmedout	Tri-state enables the portion of the Instruction Register that contains the (16 bit, MIPS "I" format) 2's complement immediate value to be sign-extended to 32 bits and driven onto the bus
IRin	Latches the bus data into the Instruction Register at the trailing edge of the clock cycle
IRoffsetout	Tri-state enables the Instruction Register's shifted and sign extended value from the offset field to be driven onto the bus (used for branches)
JUMP( <i>label</i> )	Microcode jump to <i>label</i>
JUMPop	Microcode jump to label named like the opcode; e.g., if an "Addi" is in the IR, jumps to the microcode label Addi
MARin	Latches the bus data into the Memory Address Register at the trailing edge of the clock cycle
MARout	Tri-state enables the Memory Address Register's output to be driven onto the bus
MDRin	Latches the bus data into the Memory Data Register at the trailing edge of the clock cycle
MDRout	Tri-state enables the Memory Data Register's output to be driven onto the bus
MEMread	Initiate a memory read from the address in the MAR; here, you may assume that the memory will take 2 clock cycles to respond
MEMwrite	Initiate a memory write using the data in the MDR and the address in the MAR; in this simple design, you may assume that a memory write takes precisely 1 clock cycle
PCin	Latches the bus data into the Program Counter at the trailing edge of the clock cycle
PCinif0	Only if the value in Z is zero, latch the bus data into the Program Counter at the trailing edge of the clock cycle
PCout	Tri-state enables the Program Counter's output to be driven onto the bus
REGin	Latches the bus data into whichever register is selected by SELrs, SELrt, or SELrd; the value is latched at the trailing edge of the clock cycle
REGout	Tri-state enables the output of whichever register is selected by SELrs, SELrt, or SELrd; the selected value is driven onto the bus
SELrs	Selects the rs field of the IR to be used to control the register file's decoder
SELrt	Selects the rt field of the IR to be used to control the register file's decoder
SELrd	Selects the rd field of the IR to be used to control the register file's decoder
UNTILmfc	Repeat this state until the memory has issued a memory fetch complete signal, indicating that the fetched value will be valid to read from the MDR in the next clock cycle
Yin	Latches the bus data into the Y register at the trailing edge of the clock cycle; this register is needed because, with only one bus, one of the two operands for a binary operation (e.g., Add) must come from somewhere other than the bus
Yout	Tri-state enables the Y register's output to be driven onto the bus
Zin	The ALU is always producing a result, but we only make note of that result if we latch the ALU's output into the Z register at the trailing edge of the clock cycle
Zout	Tri-state enables the Z Register's output to be driven onto the bus

# Control Logic

- A big state machine (spec. by names)
  - Begins by fetching instruction
  - Decoding instruction sends us to particular instruction's state sequence
  - Ends by going to fetch next instruction
- Instruction decode logic
  - when** *mask match lab*
  - Applied in state with **JUMPNOP**
  - if  $((IR \ \& \ mask) == match)$  goto *lab*;

# Instruction Fetch Sequence

- Not dependent on instruction – can't be
- Also does  $PC+=4$

```
Start: PCout, MARin, MEMread, Yin  
CONST(4), ALUadd, Zin, UNTILmfc  
MDRout, Irin  
JUMPNOP, Zout, Pcin  
HALT /* illegal inst. */
```

# MIPS Register Add

- `add $rd,$rs,$rt`
- Means  $rd=rs+rt$

Add: SELrs,REGout,Yin  
SELrt,REGout,ALUadd,Zin  
Zout,SELrd,REGin,JUMP(Start)

# MIPS Register And

- `and $rd,$rs,$rt`
- Means  $rd = rs \& rt$

And: SELrs,REGout,Yin  
SELrt,REGout,ALUand,Zin  
Zout,SELrd,REGin,JUMP(Start)

# MIPS Load Word

- $lw\ \$rt, immed(\$rs)$
- Means  $rt = mem[immed + rs]$

Lw: SELrs, REGout, Yin  
IRIMMEDout, ALUadd, Zin  
Zout, MARin, MEMread  
UNTILmfc  
MDRout, SELrt, REGin, JUMP(Start)

# MIPS Store Word

- $sw\ \$rt, immed(\$rs)$
- Means  $mem[immed+rs]=rt$
- Don't have to wait for write to complete

Sw: SELrt, REGout, MDRin  
SELrs, REGout, Yin  
IRIMMEDout, ALUadd, Zin  
Zout, MARin, MEMwrite, JUMP(Start)

# Timing

- Clock period determined by slowest path in any state – try to minimize variation
- Number of clock cycles/instruction (CPI) is determined by counting
  - Not just count of states passed through
  - Time passed waiting counts (UNTILmfc)
- Clock period and CPI usually trade off; higher Hz often achieved by higher CPI



# Clock Period

- Assume the critical state is:

SELrt , REGout , MDRin , ALUadd , Zin

- The paths are:

SELrt > REGout > MDRin

SELrt > REGout > ALUadd > Zin

# Reducing Clock Period

- Increase clock speed by replacing:

SELrt , REGout , MDRin , ALUadd , Zin

- With:

SELrt , REGout , MDRin  
MDRout , ALUadd , Zin

# Counting CPI

- Instruction fetch time counts
- Time between MEMread and UNTILmfc

Lw: SELrs,REGout,Yin +1  
IRIMMEDout,ALUadd,Zin +1  
Zout,MARin,MEMread +1  
UNTILmfc +?  
MDRout,SELrt,REGin,JUMP(Start) +1

# Cycle-Accurate Simulation

- Custom-built full simulator for CPE380
  - Textual state machine specification
  - Can define signal delays
  - Can define initial & final conditions
  - Built-in mini MIPS assembler

<http://aggregate.org/CPE380/refss.html>

- Actual simulator is live at

<http://garage.ece.engr.uky.edu:10043/cgi-bin/simple.cgi>

# A Verilog Implementation

- Design for simulation, not rendering HW
- Key ideas:
  - ``define` control signals & constants
  - `module memory(...);`  
Models main memory
  - `module processor(halt, reset, clk);`  
Models the complete processor
  - `module bench;`  
Drives the simulation

# Verilog Simulation

- Don't have to go low level:

<http://aggregate.org/CPE380/multiS25.html>

- Don't have to feed it raw bits either;  
here's a (slightly mutant) MIPS assembler:

<http://aggregate.org/CPE380/mipsaik.html>

but I don't expect you to be using AIK yet